

Name: _____

Company: _____

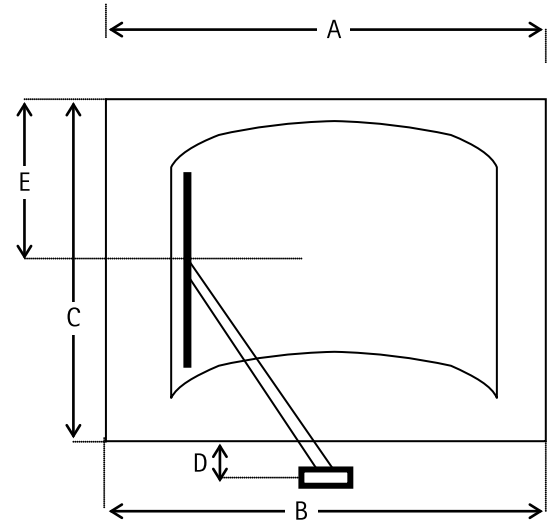
Address: _____

City: _____ State: _____

Tel: _____

E-Mail: _____

Type of Application: _____



Motor Voltage & Location

- 12VDC
- 24VDC
- Below Window
- Above Window
- External

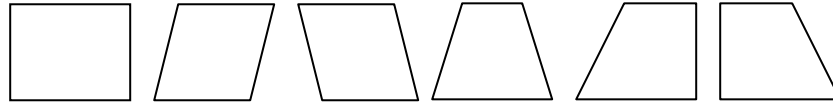
Switchgear

- Electronic Control Panel (Synchronized)
- Electronic Wiper Switch (Synchronized)
- Individual Switch with Intermittent
- Individual Switch without Intermittent
- No Switchgear Needed

Washing System

- Complete System from Ship's Supply
- Complete System from Reservoir
- Bulkhead Mounted Jet
- Arm Mounted Jet
- No System Required

Window Type:



Window Dimensions

Window Type (see above)					
Window Height [C]					
Width of Glass/Top [A]					
Width of Glass/Bottom [B]					
Motor Setback* from Window [D]					
Eye Level [E]					
Bulkhead Thickness					

* The "Motor Setback from Window" is the distance between the inside edge of the windshield frame and the center of the motor shaft

* Please take into account the radius of any corner when measuring window dimensions.

Additional Comments/Sketch: